

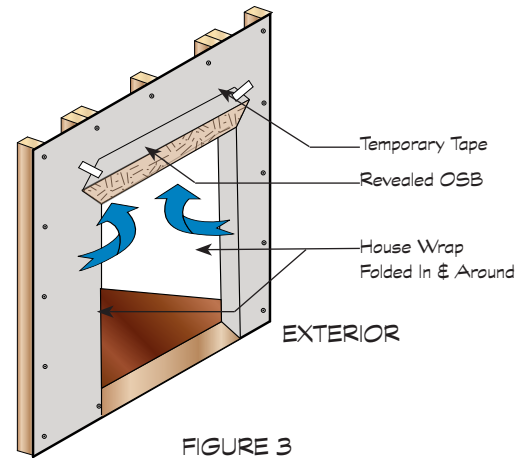
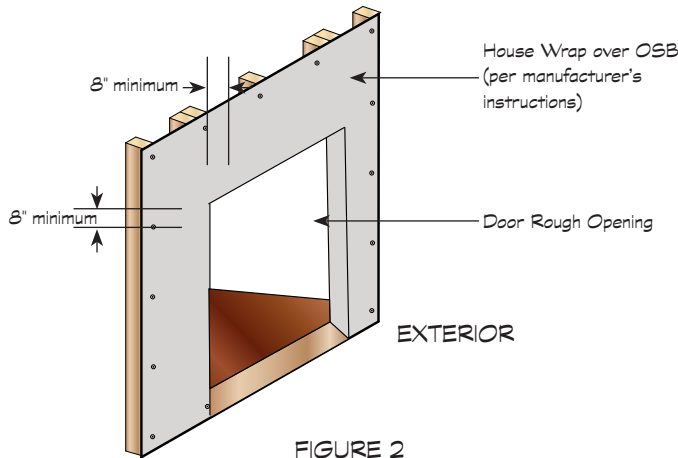
HEAVY LIFTING REQUIRED TWO PEOPLE RECOMMENDED FOR INSTALLATION

**DOOR HANDING IS DETERMINED AT THE TIME OF THE ORDER AND CANNOT BE CHANGED IN THE FIELD
DO NOT STORE DOORS STACKED UPON EACH OTHER IF THEY WILL BE EXPOSED TO SUNLIGHT**

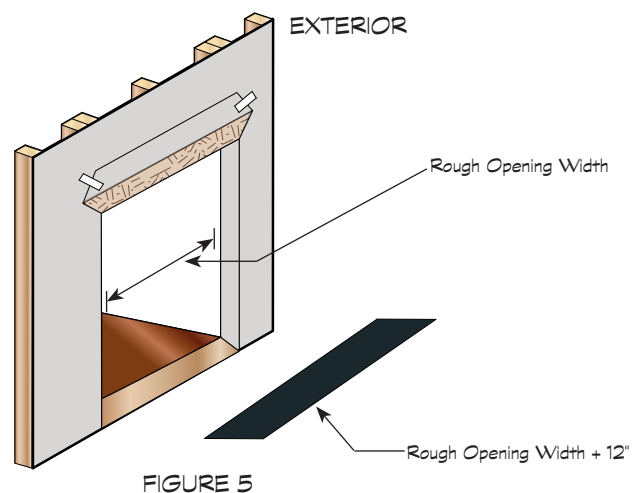
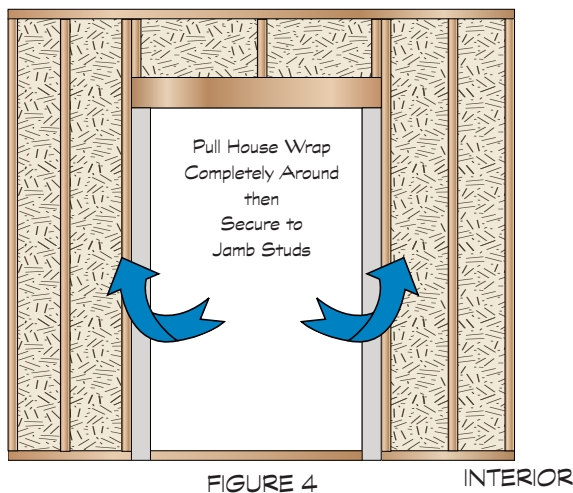
- Do not lift door by head or sill, only by holding both jambs.
- Do not drill into or through the door sill.
- Make sure opening is clean and dry prior to installation.
- Before installation inspect all weatherstrips to ensure they are intact, properly placed on frame, and properly placed on panel interlocks.
- Protect the door during construction and sheetrocking.
- Protect door sill from construction traffic, debris and damage.
- Do not plug weep holes.
- Do not plug weep holes.
- The rough opening must be plumb, level, square and ½" larger than the door size in width and height, not including the nailing fins.

Preparing / Flashing the Opening:

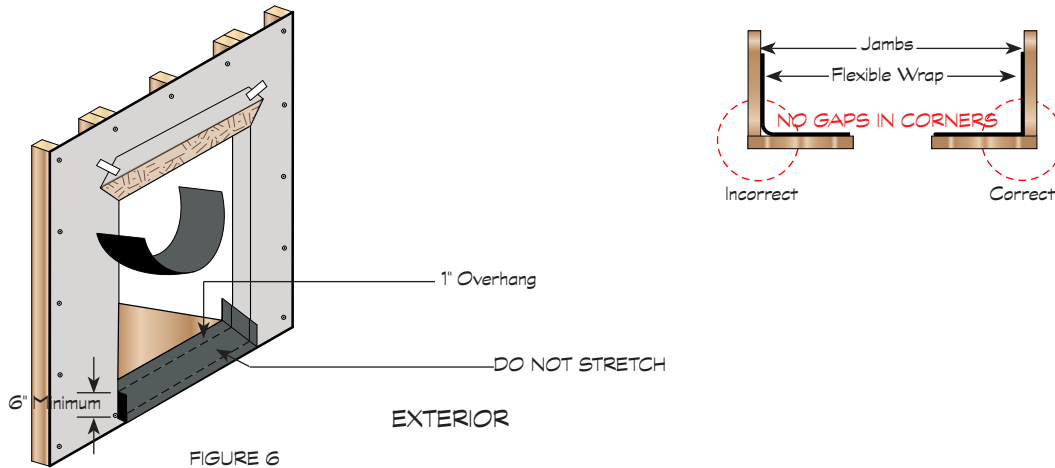
1. Attach weather resistant house wrap to house sheathing according to manufacturer's instructions.
2. First, make an "I-Cut" in the house wrap. Start with a horizontal cut across the bottom and the top of the door rough opening. Then, cut two 45° slits at least 8" from the corner of the header to create a flap above the rough opening to expose sheathing or framing members and to allow head flashing installation. (Figure 2)
3. Flip head flap up and temporarily secure with house wrap tape. (Figure 3)



4. Fold side pieces through the opening into the inside of the structure, and secure with house wrap fasteners. House wrap should cover interior face of framing stud. (Figure 4)
5. Install exterior sill flashing prior to setting the door in the opening. Cut self-adhesive flexible flashing, approved for use on wood and vinyl, (7" wide for 2" x 4" construction, 9" wide for 2" x 6" construction) at least 12" longer than the width of the rough opening. (Figure 5)



6. Door flashing must be applied in accordance with manufacturer's recommendations, starting first at the sill, extending a minimum of 6" beyond the inside edge of the rough opening (Figure 6).



Shimming / Setting the Door:

7. If installed, the operable panel can be removed from the door frame for easier handling of the door during installation.
8. Place door unit into opening to assure it will fit properly prior to proceeding to Step 9. If it fits properly, proceed to Step 9.
9. The door sill must be supported in a straight and level position, with shims at all locations where the jamb, meeting stiles, and pull stiles meet the sill. Multiple door units should have a shim under each mullion, at the jambs (level with the latch on the strike side) and at the meeting stiles (Figure 9).
10. Apply a 3/8" continuous bead of silicone caulking to the sheathing or house wrap making sure the bead is no more than 1/4" from the edge of the rough opening, so that it is covered by the nailing fin when the door is installed (Figure 10).
11. Apply a second 3/8" continuous bead of silicone caulking to the interior surface of the nailing fin, covering the holes in the fin, to seal the door's fin to the house wrap. If the door has factory applied casing, the silicone bead should still be applied so that it covers the installation holes (Figure 11).
12. Set door on the shims and adjust side clearance to center the door in the opening. Shim both sides of door as needed to assure door is plumb and margins are equal.

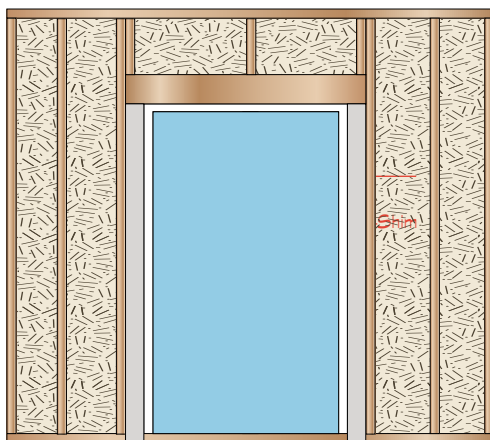


FIGURE 9

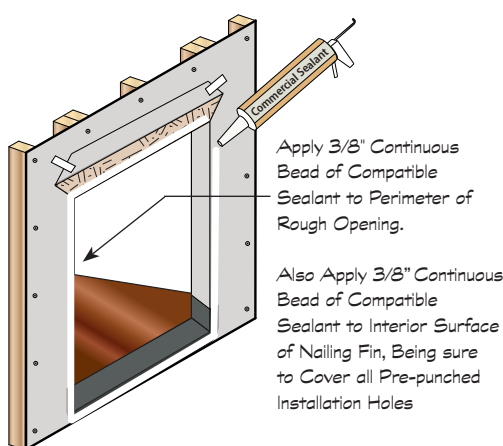


FIGURE 10

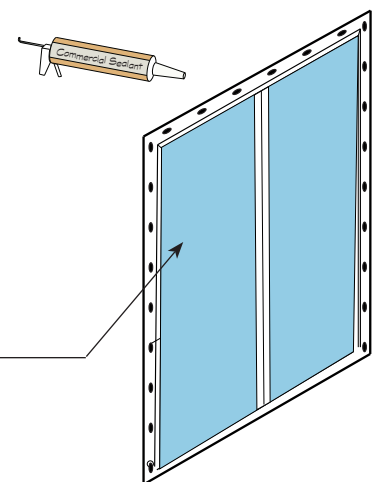


FIGURE 11

13. Fasten one upper corner of the nailing fin to keep the door in place. Check the sill with a level and adjust the shims as required to assure the sill is level. Do not force shims into place, as this may bow the door frame (Figure 13, below).
14. Measure door diagonally from bottom left corner to top right corner and from bottom right corner to top left corner. Both measurements will be equal if the frame is square. *If they are not equal, the frame is not square and will need to be reset to ensure it is square.*

ONCE THE FRAME HAS BEEN SECURED TO THE WALL, FOLLOW THE INSTRUCTIONS CONTAINED IN OUR "ASSEMBLY GUIDE FOR TWO, THREE AND FOUR PANEL SLIDING PATIO DOORS" TO PREPARE YOUR DOOR FOR FINAL INSTALLATION. DO NOT PROCEED UNTIL ALL STATIONARY AND OPERABLE PANELS ARE INSTALLED.

Securing the Door

15. Use stainless or galvanized steel fasteners, such as roofing nails or non-corrosive screws, long enough to penetrate wall studs a minimum of 1".
16. Fasten the entire perimeter of the nailing fin to the sheathing using every other slotted hole. Multiple doors, twins, & triples should be nailed in every slotted hole.
17. Fasten the fin snug but **DO NOT OVERDRIVE** the nails or screws. Fasteners should be just tight enough to hold the door but not stop the movement of the framing underneath during expansion and contraction. Make sure the head and sill are **NOT** crowned up or down, and the jambs are not bowed in or out.
18. **For Two Panel Doors only, install the two 4" pan head screws (supplied) through the middle two holes of the lock keeper that is installed in the side jamb of the door frame. Screws are to be installed through the keeper and side jamb of the door and into the rough framing (Figure 18).**

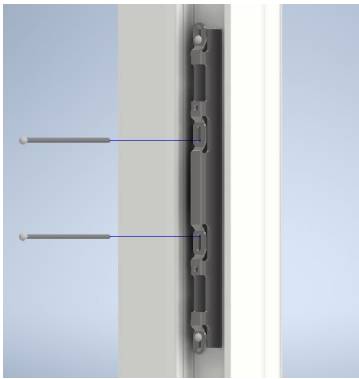


FIGURE 18

Flashing the Door: Use self-adhesive flexible window and door flashing, a minimum of 4" wide, approved for use on vinyl, wood & other substances, such as house wrap.

19. Apply **jamb** flashing over the jamb nailing fin, continuing over and beyond the sill flashing, at least 2", then apply **head** flashing similarly extending 2" past either side of the jamb flashing, to complete the door flashing detail (Figure 19).
20. Remove tape from flap previously cut on house wrap, and secure to wall (Figure 20).
21. Install batt insulation or minimal-expanding foam between the door and rough opening. Do not overfill insulation, as this may bow the frame.
22. If the exterior finish is brick, stone or stucco, make sure to leave a 1/4" gap around the entire door, and fill cavity with backerrod to allow for the expansion of materials. Apply a 1/4" caulk bead to the exterior perimeter of the door.

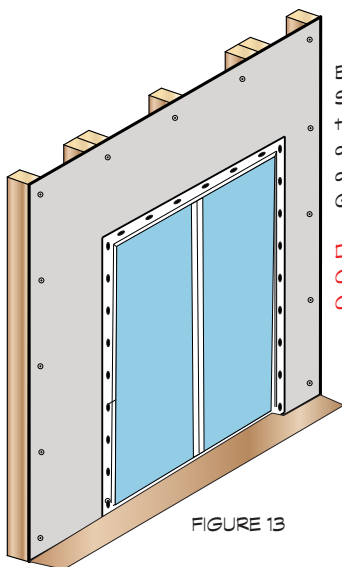


FIGURE 13

Be Certain Door is Square, Level and Plumb. then Secure Using Non-corrosive #10 1-1/2" Screws or 1-1/2" Stainless Steel or Galvanized Nails

DO NOT OVERDRIVE NAILS OR SCREWS!

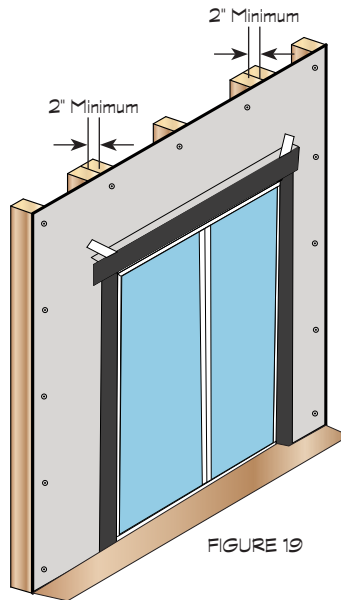


FIGURE 19

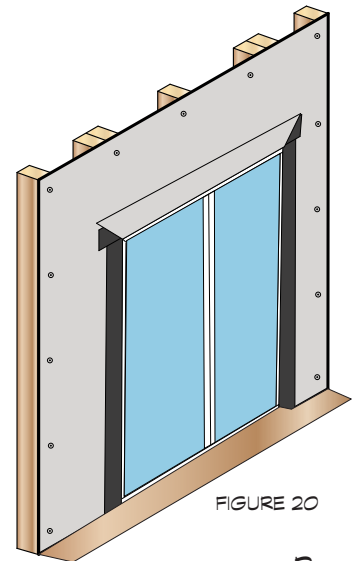


FIGURE 20